









BC-PM3  BC3


 TB  



 OSC  AUX
MST 




0 1 2 3 4 5 6
MST

 AFL


 AUX 3


CUT 


 TB 

 OSC  AUX
MST 

0 1 2 3 4 5 6
MST

 AFL

 AUX 4

CUT 

 TB 

 OSC 


 MONO  CUE
MST 


0 1 2 3 4 5 6
MST


 AFL


 CUE

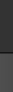
CUT 


 OUTPUT



TB 



OSC 



LINE 


OFF 

PGM 

  INSERT
POST FDR


  PGM
INSERT

  TRIM ON



0 2 4 6
±dB

L-R
TRIM



dB

10

5

0

5

10

15

20

25

30

40

50

60

85

∞

